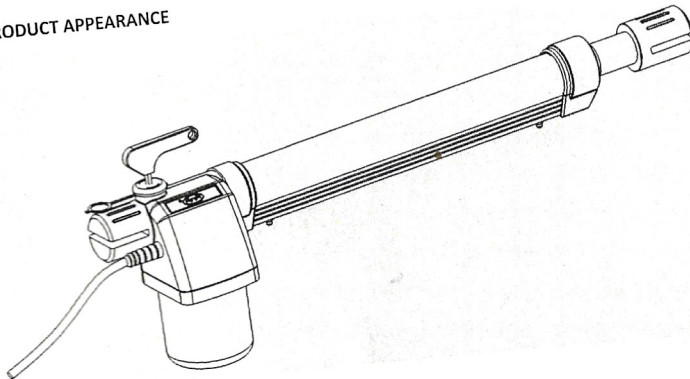
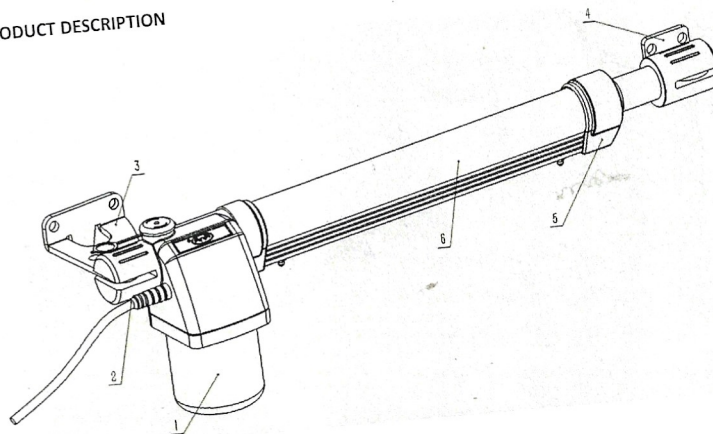


SWING GATE OPERATOR USER'S MANUAL

1: PRODUCT APPEARANCE



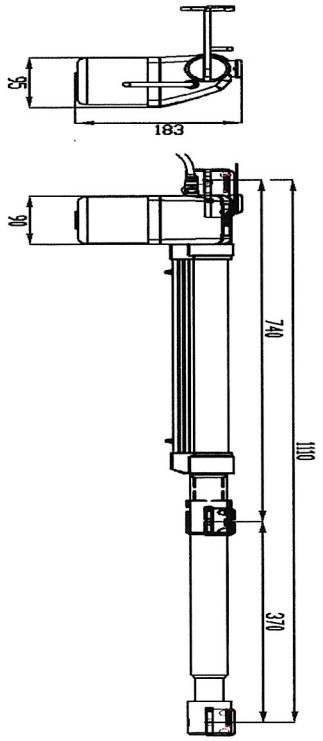
2: PRODUCT DESCRIPTION



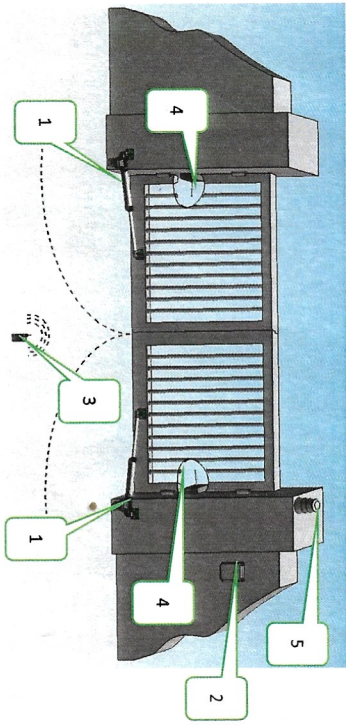
- 1: MOTOR
- 2: CABLE
- 3: REAR BRACKET
- 4: FRONT BRACKET
- 5: MAGNETIC LIMITED SWITCH CABLE TRUNKING
- 6: SCREW BUSHING



3: DIMENSION & WORKING DISTANCE

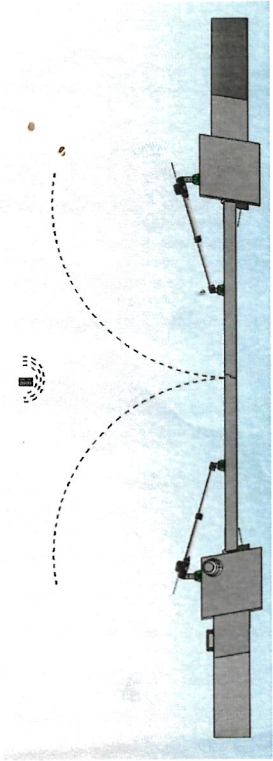


4: INSTALLATION

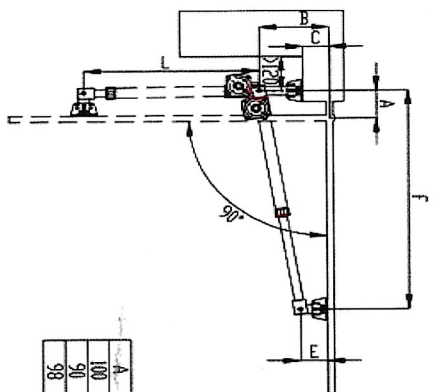


MARKED BY NO. 1: GATE OPENER: 2:CONTROL BOX: 3: REMOTE:4:PHOTOCELL: 5: LAMP

GATE OPEN & CLOSE:



5: DIMENSION FOR INSTALLATION:

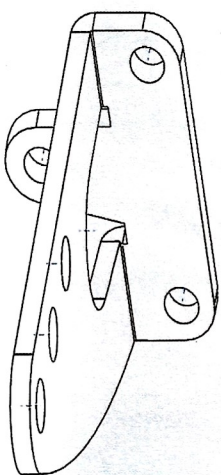


A	B	C	D	E	F	L
100	154	39	90°	45	1110	740
90	164	49	90°	45	1110	740
90	154	39	95°	45	1110	740

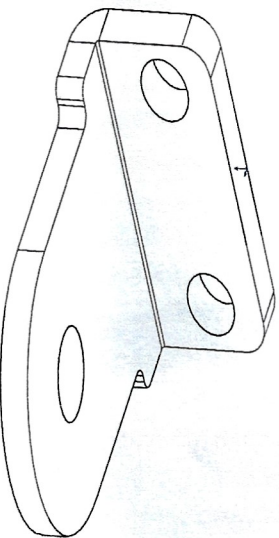
NOTE: ABOVE DIMENSION IS ONLY FOR REFERENCE, NEED TO BE INSTALLED PER ACTUAL

POSITION OF HINGE AND GATEPOST.

6: REAR BRACKET INSTALLATION

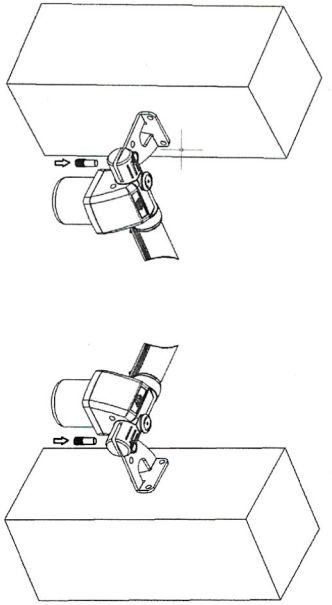


REAR BRACKET

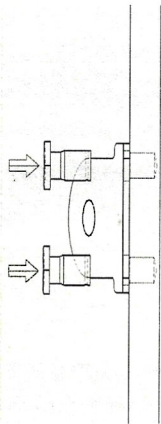


FRONT BRACKET

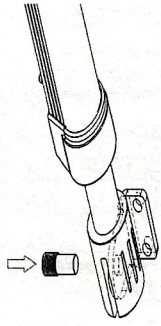
A: BACK BRACKET INSTALLATION



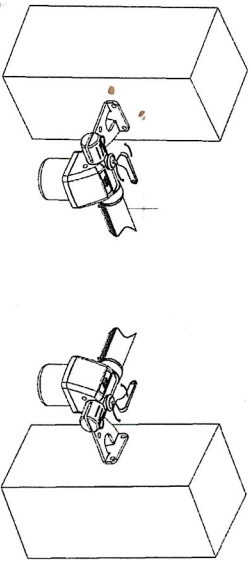
B: REAR BRACKET INSTALLATION



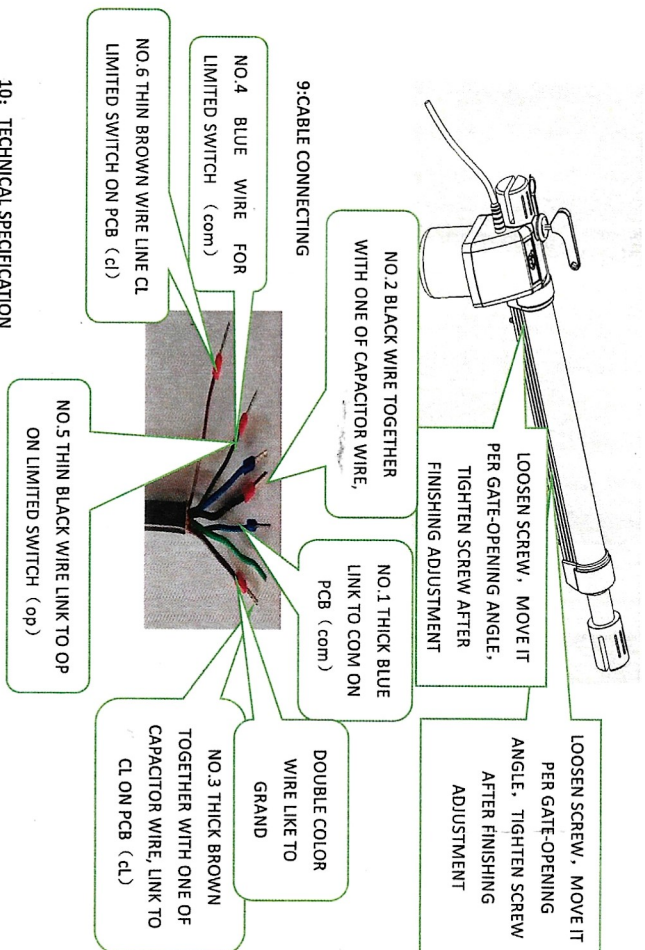
FRONT BRACKET INSTALLATION LINK TO MOTOR



C: WHEN INSTALLATION, INSURE REAR BRACKET AND FRONT BRACKET IN A SAME LEVEL LINE.
7: HOW TO RELEASE:



8: ADJUST THE LIMITED SWITCH



SPECIFICATION		IDEA Max-4000	
ITEM NO.			
POWER SUPPLY (V)	AC 220V		
ABSORBED POWER (W)	150/70		
MAX LENGTH PER LEAF (M)	2-4M		
MAX WEIGHT PER LEAF (kg)	350		
WORKING DISTANCE (mm)	370		
GATE SPEED (CM/S)	25		
TORQUE (Nm)	8		
OPERATING TEMPERATURE	-35°C+55°C		
NOISE db	≤56		
PROTECT	IP54		
CERTIFICATION	CCC/CE		

11: GATE OPENER PACKLIST

NAME	DESCRIPTION	QTY	UNIT	DEMO
MOTOR	IDEA Max-4000	2	PCS	STANDARD
CONTROL PCB BOX	220v	1	PCS	STANDARD
COUPLING PIN		4	PCS	STANDARD
REAR BRACKET		2	PCS	STANDARD
FRONT BRACKET		2	PCS	STANDARD
CLUTCH KEY		2	PCS	STANDARD
MANUAL		1	PCS	STANDARD
FIXING SCREW		4	SET	STANDARD
CAPACITOR		2	SET	STANDARD
REMOTE		2	PCS	STANDARD